

# ILLUSTRATED PARTS LIST

## CE101C Concrete Saw



MODEL #CE101C • OCTOBER 2009

***Cutters Edge***<sup>®</sup>  
**FIRE RESCUE SAWS**

### **Cutters Edge Offices**

P.O. Box 846 • 3855 23rd Street • Baker City, Oregon 97814  
Telephone: 541-524-9999 • Fax: 541-524-9996 • Email [info@cuttersedge.com](mailto:info@cuttersedge.com)

### **East Coast Service Center**

Eastern Fire Equipment Services • 326 Pleasant View Rd. • New Cumberland, PA 17070  
Tel: 717-412-7746 • Email: [office@efesinc.com](mailto:office@efesinc.com)

**[www.cuttersedge.com](http://www.cuttersedge.com)**

---

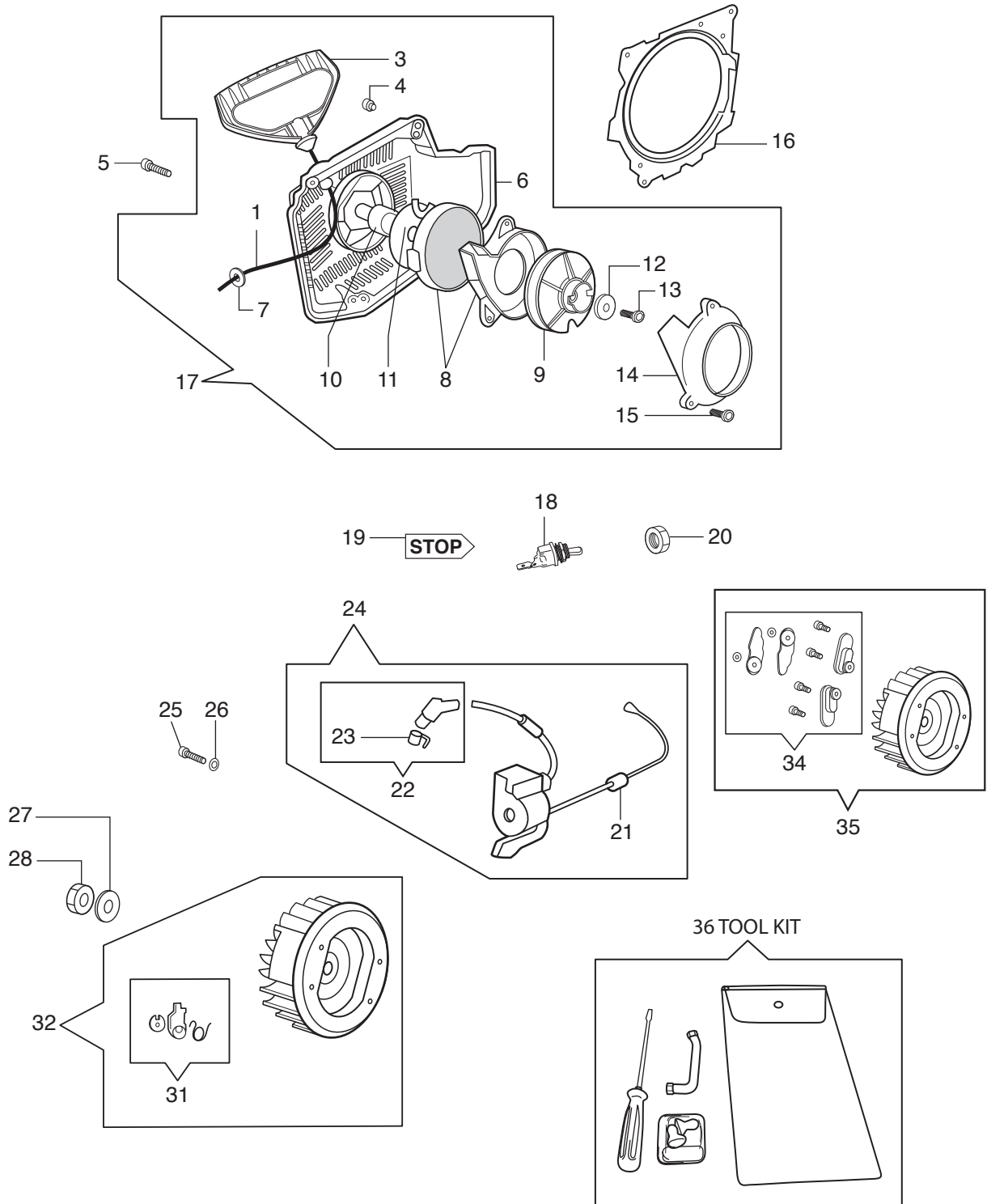
## Illustrations and Parts Ordering Numbers for CE101C Concrete Saw

Starter and Ignition Group <b>A</b> .....	1
Cylinder and Crankshaft Group <b>B</b> .....	3
Crankcase Group <b>C</b> .....	5
Chain Cover and Clutch Group <b>D</b> .....	7
Air Filter Group <b>E</b> .....	9
Fuel Tank and Handle Group <b>F</b> .....	11
Carburetor Group <b>G</b> .....	13
Tool Group <b>H</b> .....	14

# Starter-Ignition Group

CE101C  
Revised 7/09

A



# Starter-Ignition Group

**CE101C**

Revised 7/09

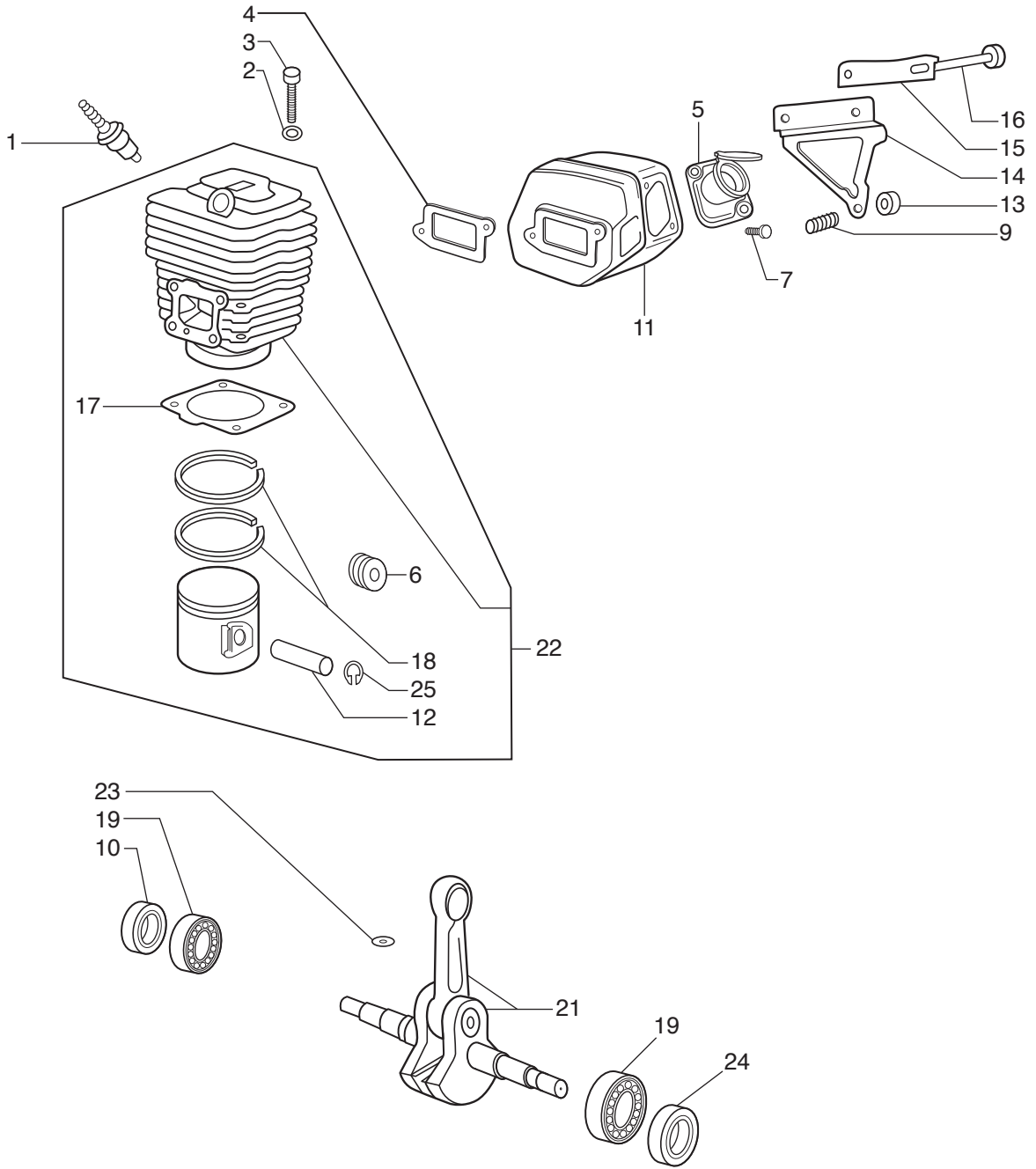
**A**

A1	STARTER ROPE	IC73188
A3	D-HANDLE	CE590574
A4	STARTER HOUSING OIL CAP	IC73229
A5	BOLT (SAME AS E5)	IC73230
A6	STARTER COVER	IC73190
A7	STARTER ROPE WASHER	IC73231
A8	STARTER ROPE SPRING & HOUSING	IC73191
A9	STARTER ROPE PULLEY	IC73193
A10	STARTER BUSHING	IC73192
A11	STARTER SPRING COVER	IC73232
A12	STARTER PULLEY WASHER	IC73233
A13	STARTER PULLEY SCREW	IC73234
A14	STARTER PULLEY COVER	IC73235
A15	STARTER PULLEY COVER SCREW	IC73236
A16	STARTER COVER DUST SHIELD	IC73194
A17	STARTER COVER COMPLETE	IC73195
A18	IGNITION MOMENTARY OFF TOGGLE SWITCH	CEM2015BB
A19	STOP LABEL	CELSTOP
A20	TOGGLE SWITCH NUT	IC73239
A21	IGNITION SWITCH LEAD GROMMET	IC73240
A22	SPARKPLUG CAP REPLACEMENT KIT	IC73241
A23	SPARKPLUG CAP SPRING	IC73242
A24	IGNITION COIL WITH LEAD & PRIMARY	IC73196
A25	IGNITION COIL MOUNTING SCREW	IC73243
A26	WASHER (SAME AS C4, E2, F2)	IC73897
A27	FLYWHEEL MOUNTING WASHER	IC73245
A28	FLYWHEEL MOUNTING NUT	IC73246
A31	STARTER PAWL KIT (2006 - OLDER)	IC504386
A32	FLYWHEEL ASSEMBLY REPLACEMENT KIT (2006 & OLDER)	IC73433
A34	STARTER PAWL KIT (2007 - NEWER)	IC520372
A35	FLYWHEEL ASSEMBLY (2007 - NEWER)	IC520373
A36	TOOL KIT	IC73249

# Cylinder-Crankshaft Group

CE101C  
Revised 7/09

B



# Cylinder-Crankshaft Group

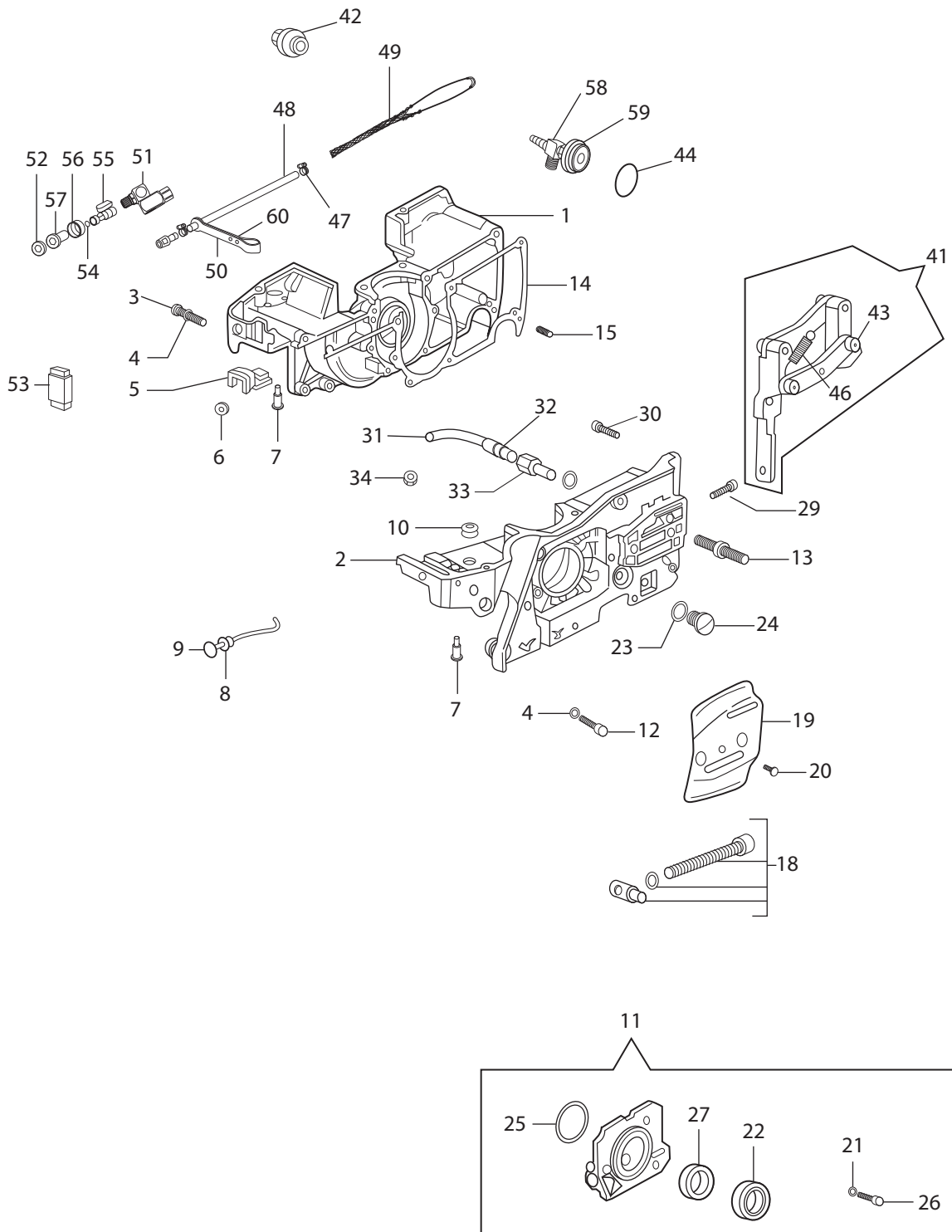
CE101C  
Revised 7/09

**B**

B1	SPARK PLUG	CECJ7Y
B2	WASHER (SAME AS F25)	IC73250
B3	CYLINDER BLOCK BOLT	IC73251
B4	CYLINDER TO MUFFLER GASKET	IC73434
B5	EXHAUST PORT	ICEPC
B6	WRIST PIN NEEDLE BEARING	IC73211
B7	EXHAUST PORT MOUNTING SCREW	IC73254
B9	MUFFLER SUPPORT BRACKET SCREW	IC73255
B10	CRANK SHAFT SEAL FLYWHEEL SIDE	IC73201
B11	MUFFLER BODY	IC73203
B12	PISTON WRIST PIN	IC73208
B13	MUFFLER SUPPORT BRACKET NUT	IC73256
B14	MUFFLER SUPPORT BRACKET	IC73204
B15	MUFFLER SCREW LOCK PLATE	IC73257
B16	MUFFLER MOUNTING SCREW	IC73258
B17	CYLINDER BASE GASKET	IC73436
B18	PISTON RING (PAIR)	IC73437
B19	CRANKSHAFT MAIN BEARING FLYWHEEL END	IC73209
B21	CRANKSHAFT ASSEMBLY	IC73443
B22	COMPLETE CYLINDER/ PISTON ASSEMBLY	IC73442
B23	CRANKSHAFT WOODRUFF KEY FLYWHEEL END	IC73264
B24	CRANKSHAFT MAIN BEARING CLUTCH END	IC73200
B25	WRIST PIN SNAP RING	IC73259

# Crankcase Group

CE101C  
Revised 7/09



# Crankcase Group

**CE101C**

Revised 7/09

**C**

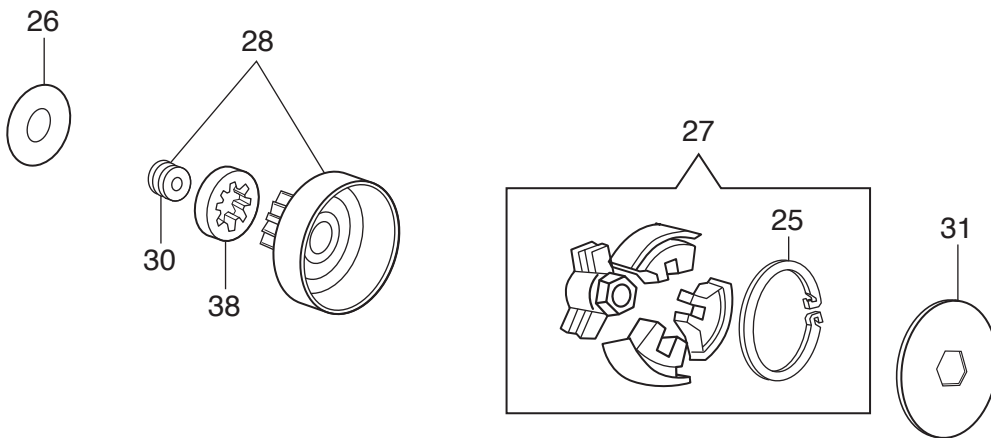
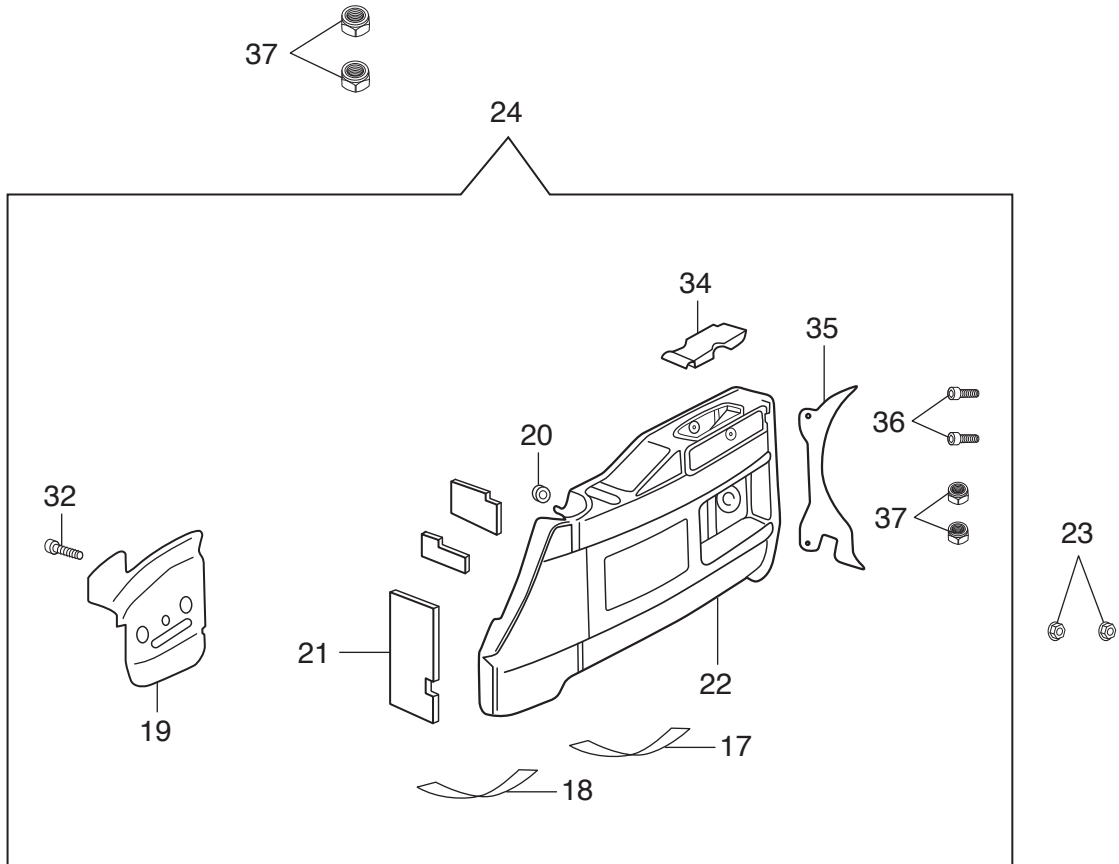
C1	CRANKCASE LEFT HALF	IC73444
C2	CRANKCASE RIGHT HALF	IC72445
C3	BOLT	IC73278
C4	WASHER	IC73897
C5	TRIGGER ROD GROMMET	IC73268
C6	TRIGGER ROD BUSHING	IC73269
C7	BUMPER	IC73270
C8	CHOKE LEVER GROMMET	IC73389
C9	CHOKE LEVER	IC73213
C10	FUEL LINE GROMMET, CRANKCASE	IC73390
C11	MAIN BEARING SEAL HOUSING ASSEMBLY	IC73446
C12	SCREW	IC73275
C13	BAR MOUNTING STUD	IC73280
C14	CRANKCASE GASKET	IC73447
C15	CRANKCASE DOWEL PIN	IC73281
C18	PREMIUM TENSIONER KIT	IC73935
C19	BAR MOUNT PAD COVER PLATE	IC73225
C20	COVER PLATE SCREW	IC73284
C21	WAVE WASHER, 4.5MM.	IC73285
C22	CRANKSHAFT OUTSIDE SEAL	IC73202
C23	CRANKCASE PLUG O-RING	IC73391
C24	CRANKCASE PLUG	IC73286
C25	SEAL HOUSING O-RING	IC73287
C26	SEAL HOUSING MOUNTING SCREW	IC73288
C27	CLUTCH SIDE MAIN BEARING SEAL	IC73289
C29	WALLWALKER LOWER MOUNTING BOLT	ICM5X12
C30	WALLWALKER UPPER MOUNTING BOLT	ICM 5X20
C31	WATER TUBE IN TANK	IC73384
C32	WATER TUBE FITTING	IC73385
C33	WATER TUBE FITTING BACKSIDE BAR MOUNT	IC73386
C34	COVER GUARD FRONT MOUNT NUT	IC73392
C35	SAFETY FLAP MOUNTING SCREW	IC73393
C41	WALLWALKER ASSEMBLY	IC73103
C42	WATER TANK CAP	IC504388
C43	WALLWALKER ARM BOLTS (PKG. OF 4)	IC73412
C44	CAP O-RING	IC73448
C46	WALLWALKER SPRING	IC73415
C47	HOSE CLAMP	IC73422
C48	HOSE VALVE ASSEMBLY	IC73401
C49	WATER HOSE HANGER	IC70963
C50	WATER HOSE STRAP	IC71461
C51	360° SWIVEL	ICASC14
C52	FILTER HOSE WASHER	IC71089
C53	PLASTIC CAP	IC504389
C54	WATER HOSE O-RING	IC71468
C55	WATER SHUT-OFF VALVE	IC71458
C56	WATER SHUT OFF INLET NUT	IC71457
C57	HOSE FITTING	IC71467
C58	GAUGE MOUNT ELBOW FITTING	CE4A93
C59	GAUGE	CE10NB8P
C60	HOSE STRAP BUTTON	IC71744



# Chain Cover-Clutch Group

CE101C  
Revised 7/09

D



# Chain Cover-Clutch Group

**CE101C**  
Revised 7/09

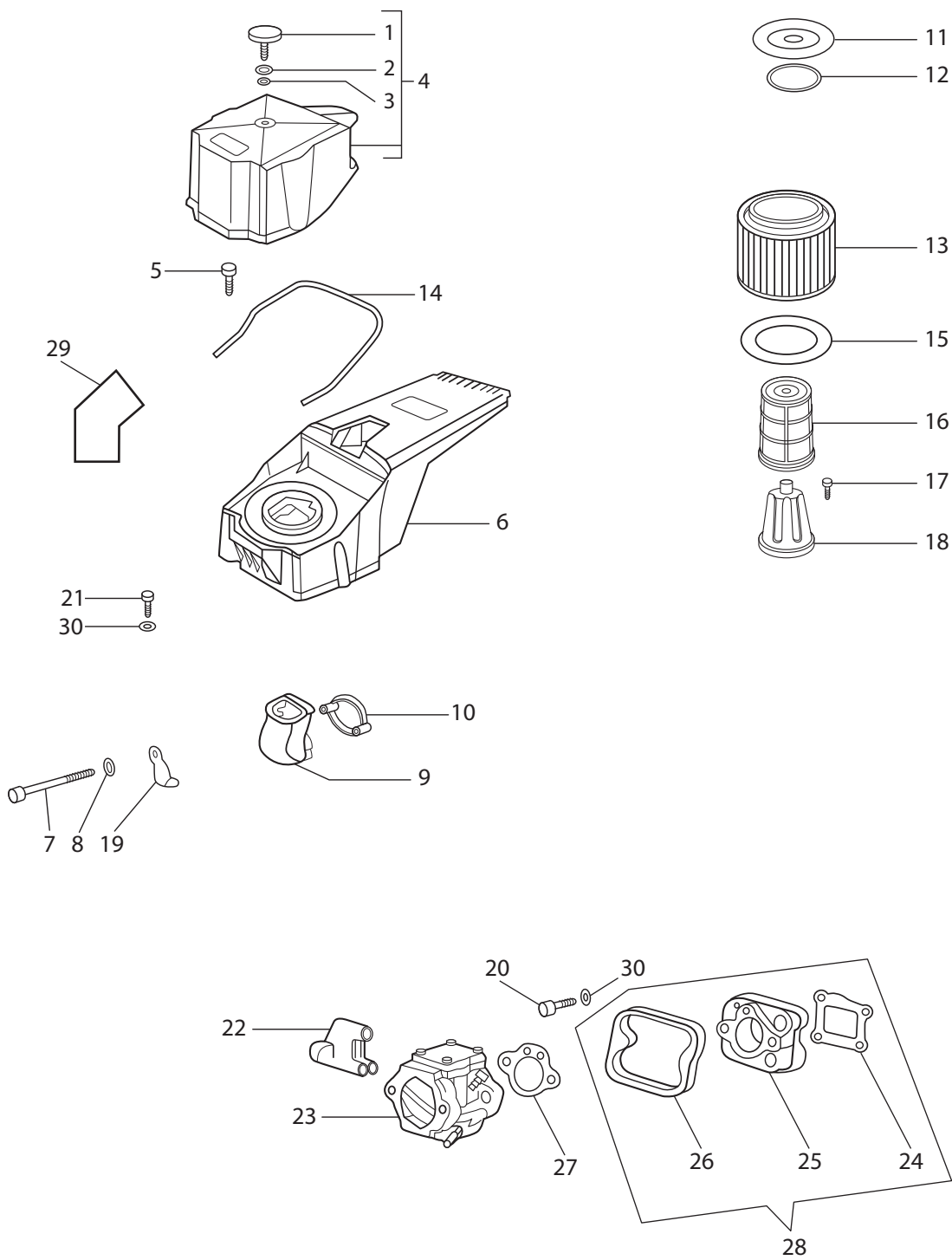
**D**

D17	CHAIN COVER RUBBER INSERT TOP	IC73316
D18	CHAIN COVER RUBBER INSERT MIDDLE	IC73315
D19	COVER SIDE BAR PLATE	IC73309
D20	COVER RUBBER BUMPER	IC73310
D21	COVER RUBBER FLAP	IC73311
D22	CHAIN COVER -WITHOUT BRAKE COMPONENTS	IC73449
D23	BAR CLAMPING NUT	IC73313
D24	CHAIN COVER ASSEMBLY	IC71440
D25	CLUTCH SPRING	IC73317
D26	CLUTCH SPACER WASHER	IC73314
D27	CLUTCH ASSEMBLY	IC73451
D28	CLUTCH CUP W/SPLINED ADAPTER	IC70948
D30	CLUTCH NEEDLE BEARING	IC73423
D31	CLUTCH SHIELD	IC73452
D32	BAR PLATE SCREW	IC73284
D34	CLUTCH COVER PLUG	IC71441
D35	PIVOT SPIKE	IC70840
D36	SOCKET HEAD CAP SCREWS (2)	ICM6x16
D37	NYLON LOCK NUTS (2)	ICM6Nut
D38	8 TOOTH RIM SPROCKET	IC70949

# Air Filter Group

CE101C  
Revised 7/09

E



# Air Filter Group

**CE101C**

Revised 7/09

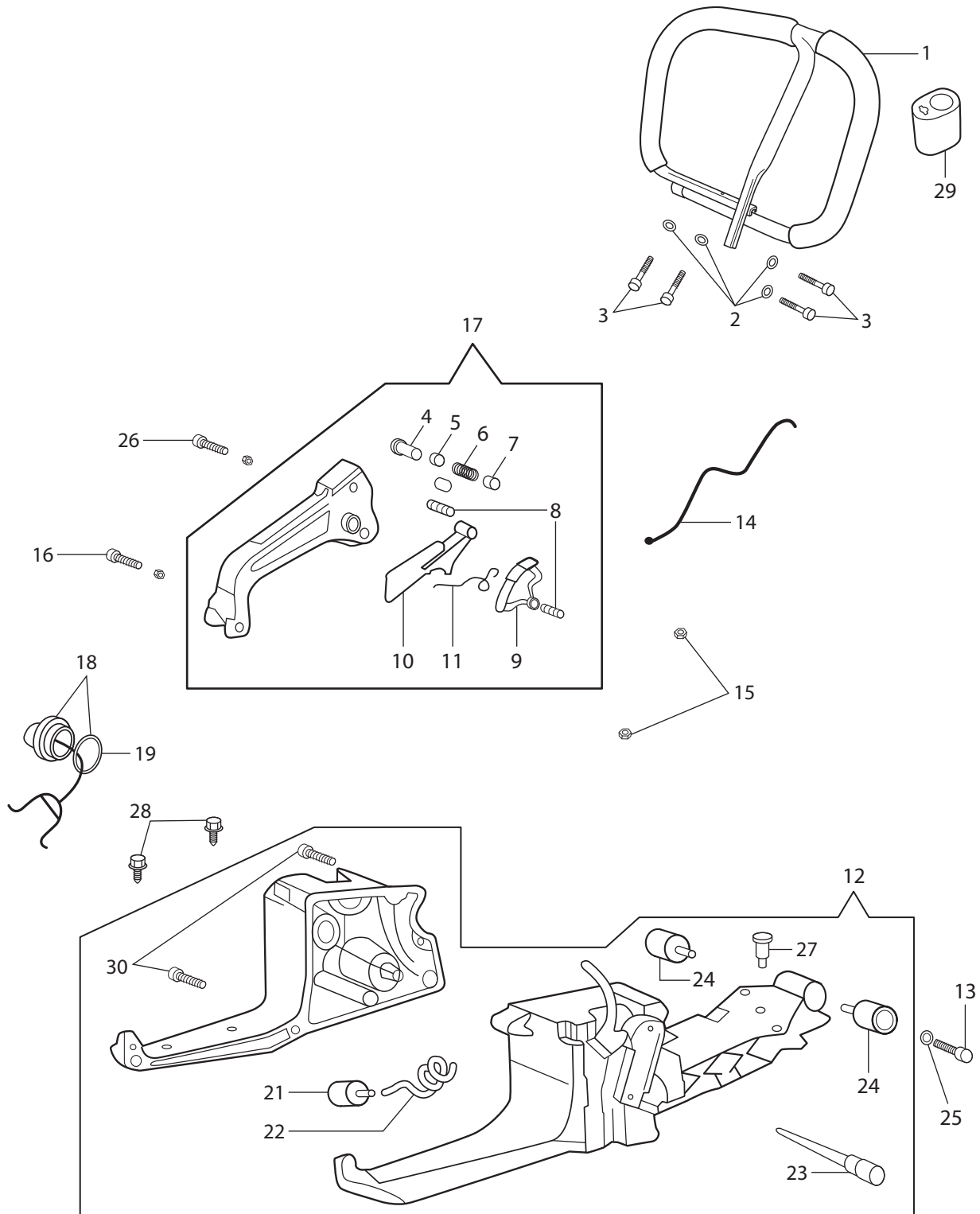
**E**

E1	FILTER COVER KNOB	IC73320
E2	WASHER (SAME AS A26, C4, F2)	IC73897
E3	FILTER KNOB O-RING	IC73322
E4	AIR FILTER COVER ASSEMBLY	IC71721
E5	FILTER COVER SCREW (SAME AS A5)	IC73230
E6	CYLINDER COVER	IC73325
E7	CARBURETOR ATTACHMENT SCREW	IC73326
E8	CARBURETOR ATTACHMENT SCREW WASHER	IC73327
E9	INTAKE MANIFOLD RUBBER	IC73328
E10	INTAKE MANIFOLD BRACKET	IC73329
E11	FILTER CANNISTER COVER	IC73330
E12	FILTER CANNISTER O-RING	IC73331
E13	AIR FILTER CARTRIDGE	IC73418
E14	FILTER COVER GASKET	IC71719
E15	FILTER CANNISTER GASKET	IC73335
E16	PRE-FILTER, PLASTIC	IC73336
E17	AIR FILTER SUPPORT SCREW	IC73337
E18	AIR FILTER MOUNT	IC73338
E19	CARBURETOR STANDOFF SUPPORT	IC73387
E20	BOLT (SAME AS C3)	IC73278
E21	CARBURETOR SUPPORT SCREW	IC73340
E22	CARBURETOR MIXTURE SCREW GROMMET	IC73341
E23	CARBURETOR (SAME AS G1)	IC73454
E24	INSULATOR TO CYLINDER GASKET	IC73455
E25	CARBURETOR INSULATOR	IC73344
E26	INSULATOR FOAM GASKET	IC73345
E27	CARBURETOR TO INSULATOR GASKET	IC73456
E29	AIR FILTER WATER SEAL KIT	IC70959
E30	CARBURETOR SUPPORT SCREW WASHER	IC73285

# Fuel Tank-Handle Group

CE101C  
Revised 7/09

F



# Fuel Tank-Handle Group

**CE101C**

Revised 7/09

**F**

F1	FULL WRAP HANDLE COMPLETE	IC73457F
F2	WASHER (SAME AS A26, C4, E2)	IC73897
F3	FRONT HANDLE BOLTS	ICM5X16 ICM5X35
F4	TRIGGER LOCK PIN	IC73353
F5	TRIGGER LOCK PIN WASHER	IC73354
F6	TRIGGER LOCK SPRING	IC73355
F7	TRIGGER LOCK BUTTON	IC73356
F8	TRIGGER PIVOT PIN	IC73357
F9	THROTTLE LEVER	IC73358
F10	TRIGGER LOCKOUT LEVER	IC73987
F11	TRIGGER LOCKOUT LEVER SPRING	IC73360
F12	FUEL TANK ASSEMBLY	IC521003
F13	SCREW (SAME AS C12)	IC73275
F14	THROTTLE OPERATING WIRE	IC73366
F15	MOUNTING NUT (SAME AS C28)	IC73367
F16	REAR HANDLE REAR BOLT	IC73368
F17	REAR HANDLE ASSEMBLY	IC73369
F18	FUEL CAP ASSEMBLY (2006-OLDER)	IC73370
F19	FUEL CAP O-RING (SAME AS C44)	IC73448
F20	FUEL CAP (2007-NEWER)	IC71739
F21	FUEL FILTER	IC73459
F22	FUEL LINE	IC73375
F23	FUEL BREATHER PIPE	IC73376
F24	SHOCK ABSORBER	IC73377
F25	WASHER (SAME AS B2)	IC73250
F26	REAR HANDLE SCREW UPPER	IC73379
F27	BUMPER (SAME AS C7)	IC73270
F28	STRAIN RELIEF BOLTS	IC73404
F29	SCRENCH TOOL HOLDER	CE292TH
F30	FUEL TANK SCREW	IC73372



## MODEL CE101C MAINTENANCE SERVICE TOOLS



H1



H2



H3



H4



H5

H1	FLYWHEEL PULLER TOOL	IC73461
H2	MAIN BEARING DRIVER TOOL	IC73462
H3	MAIN BEARING SPACING TOOL	IC73463
H4	SHOCK ABSORBER TOOL	IC73464
H5	PISTON STOP TOOL	IC73340

## MODEL CE101C DIAGNOSTIC SERVICE TOOLS



H6



H7



H8

H6	INTAKE PORT COVER TOOL	IC73465
H7	EXHAUST PORT COVER TOOL	IC73466
H8	FUEL TANK PRESSURE TEST CAP	IC73425
H9	SERVICE MANUAL KIT	IC73467
H10	MAINTENANCE & DIAGNOSTIC TOOLS	IC73468